

Index

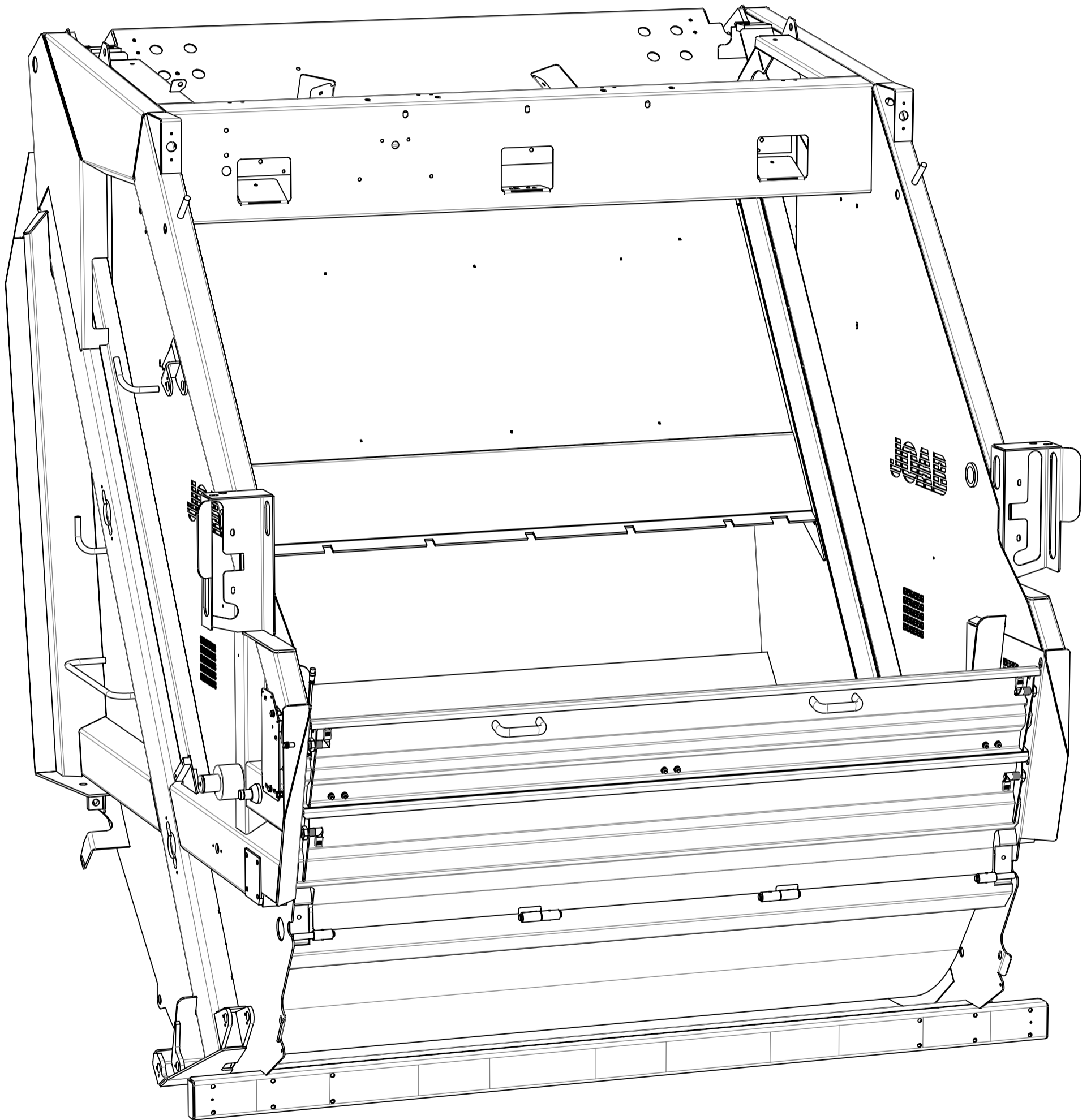
Foldable Guideflap HD, MD Spare parts

Page 1. Index
Page 2-3. Fällbart spillskydd - Foldable Guideflap

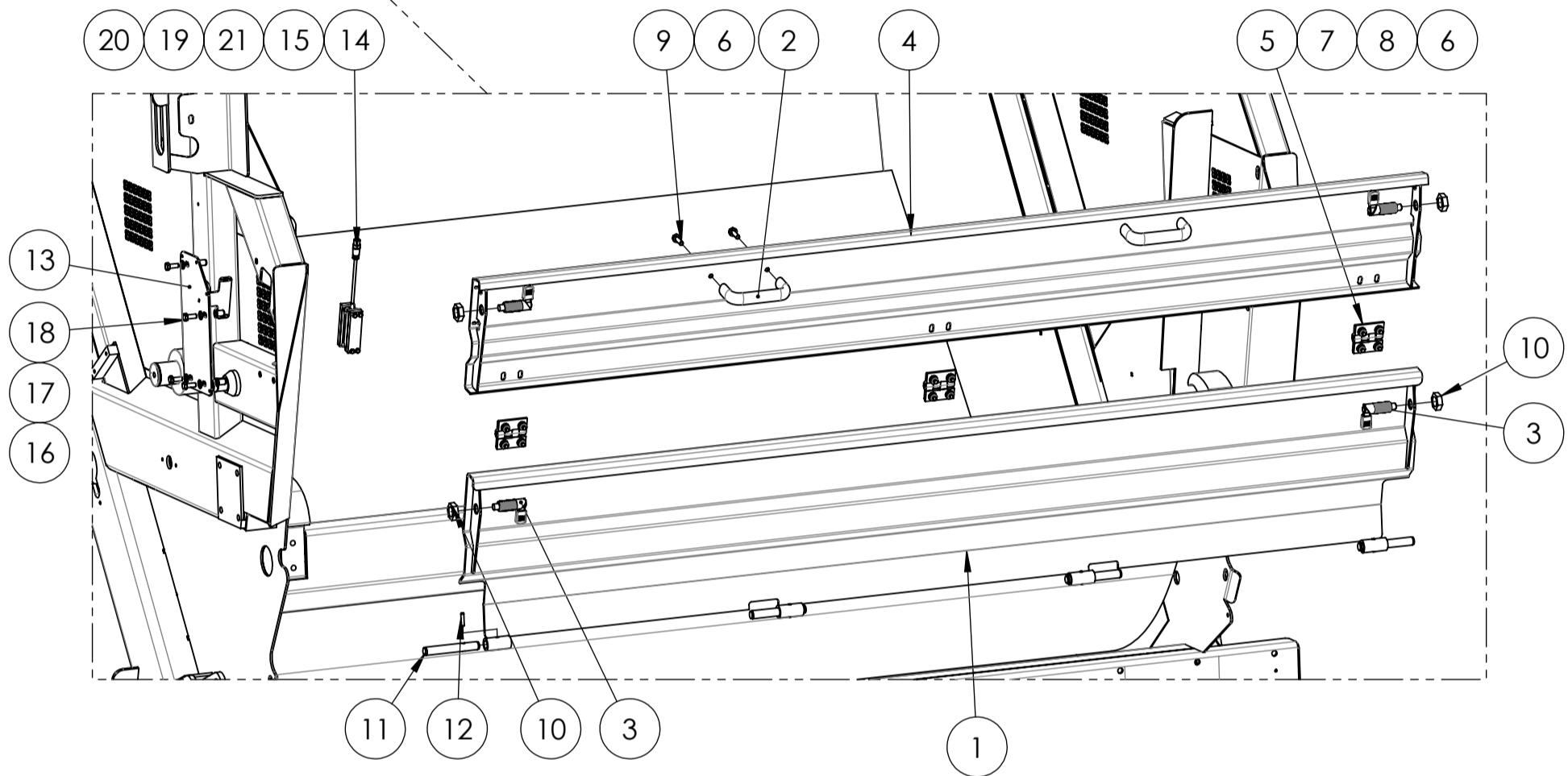
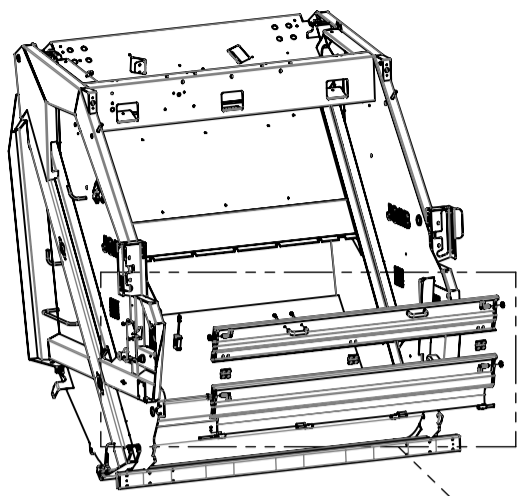
Note! The images are for reference only.
Components marked with * contact
spare part branch.

1527293	Index Fällbart spillskydd HD, MD-Index
2014-05-15	Foldable Guideflap HD, MD
Rev. 1	Date: 2014-05-15

Fällbart spillskydd HD, MD-Foldable Guideflap HD, MD



Note! The images are for reference only.
Components marked with * contact
spare part branch.



21	Skruv	Screw	1505147	
20	Låsmutter	Locking nut	1505333	
19	Bricka	Washer	1505143	
18	Skruv	Screw	1505263	
17	Bricka	Washer	1504899	
16	Blindnitmutter	Rivet nut	1504885	
15	Packning magnetgivare	Gasket	1504951	
14	Magnetgivare	Magnetic sensor	1504950	
13	Givarfäste	Sensor bracket	1507058	
12	Fjädrande rörpinne	Pin	1506704	
11	Gångjärnsprint	Hinge pin	1504963	
10	Kontramutter	Nut	1507752	
9	Skruv	Screw	1504922	
8	Låsmutter	Locking nut	1505255	
7	Skruv	Screw	1505267	
6	Bricka	Washer	1504899	
5	Gångjärn	Hinge	504609	
4	Överdel spillskydd	Upper Guideflap	1506658	
3	Låsbar inställningsbult	Locking device	1504934	
2	Handtag	Handle	1504927	
1	Underdel spillskydd	Lower Guideflap	1506648	
ITEM NO.	Benämning	Title	Part no	YAP.Rev

Note! The images are for reference only. Components marked with * contact spare part branch.